



**sahinler**  
METAL MAKINE ENDÜSTRİ A.Ş.

K-Q  
TSE-ISO-EN  
9000

# USER'S MANUAL MODEL HPK 65 HYDRAULIC SECTION BENDING MACHINE



**İzmir Yolu 22.km Mümin Gencoğlu Cad. 16285 BURSA / TURKEY**

**Tel: +90-224-4700158 (6 lines pbx)**

**Fax: +90-224-4700770**

**Web: [www.sahinlermetal.com](http://www.sahinlermetal.com)**

**Email: [info@sahinlermetal.com](mailto:info@sahinlermetal.com)**

**Spare parts & service: [service@sahinlermetal.com](mailto:service@sahinlermetal.com)**



# CE DECLARATION

We as

**ŞAHİNLER METAL MAKİNE END. A.Ş.**  
İzmir Yolu 22.km  
Mümin Gençođlu Caddesi  
Bursa / TÜRKİYE

confirm that the machine

**HPK 65**

Serial Number :  
Production Year :

complies with

**EC MACHINES DIRECTIVE 98 / 37 / EC**  
replaced with **EC-Directives 91 / 368 / EWG** and  
**93 / 44 / EWG** and  
**93 / 68 / CEE**  
**EC-Low Voltage 73 / 23 / EWG**  
**EC-Noise Level Directives 86 / 188 / EWG**

and the machine also harmonized with the standards

**DIN EN 60204 Part 1**

Name : Mustafa PINARBAŞI  
Position : Production Director

BURSA, on.....

<b>CONTENTS</b>	<b>Page</b>
<i>Content</i>	1
<i>General Notes</i>	2 - 3
<i>General Warranty Terms</i>	4
<i>General Safety Terms</i>	5
<i>Danger Zones</i>	6
<i>Transporting Lifting and Carrying</i>	7
<i>Foundation and main dimensions</i>	8 - 9
<i>Operating HPK 65 as horizontal</i>	10
<i>HPK 65's Technical Properties</i>	11
<i>Capacity Chart For HPK 65</i>	12
<i>Operating the machine</i>	13
<i>Standard equipments for HPK 65</i>	14
<i>Bending Operations</i>	15 - 16
<i>Flat bar bending</i>	17
<i>Pipe Bending</i>	18
<i>Leg-In and Leg-Out Rolling</i>	19
<i>T – U - I Section Rolling</i>	20 - 21
<i>Maintenance and Lubrication</i>	22 - 24
<i>Lubricating the guide rollers</i>	25
<i>Hydraulic Plans and Parts List</i>	26
<i>Standard Roller</i>	27
<i>Main Part Lists</i>	28 - 40
<i>Electric Schemes</i>	

## GENERAL NOTES

### 1. Introduction

Thank you for choosing a Şahinler Sheet / Metal Working Machine. We are proud to have you in our long list of satisfied customers all over the world.

This User's Manual is absolutely for your safety and is essential for the machine to have a long production life. As long as you keep up with our Manual you will be able to run your machine smoothly and safely. Keep in mind that the machine is designed absolutely to perform maximum safety and for efficient working.

In this Manual you can find instructions and information about:

- Correct installations of the machine
- Description of the functional parts of the machine
- Set-up and start-up adjustments
- Correct standard and scheduled maintenance
- Simple safety regulations and accident prevention.

Therefore, as far as the user's safety is concerned, in this handbook the possible risks connected with machine operation are pointed out as follows:



**ATTENTION:** Showing the risks of accident, if instructions are not followed.



**WARNING:** Showing the probable damages to the machine or equipment, if the instructions are not strictly followed.



**NOTE:** It gives useful information.

It is certainly necessary that the operator should read and understand all the **ATTENTION**, **WARNING** notes specified in this Manual before starting with operation of the machine and before any lubrication or maintenance intervention.

On all steps of installation, operation and maintenance safety must be your first concern for the protection of yourself, other users and the service of the machine.

In case of any failure please first refer to this Manual, and then if a solution cannot be found contact first of all the distributor where you purchased our product. Do not forget to refer to the

drawings and the numbers for any spare part needed or to define any problem. Make sure you have the serial number and production year of the machine.

Our technical staff will make their best to help you in the most convenient way.

## 2. Transport

As soon as you receive the machine, check for any visible transport damages. Should there be any visible damages; report it straight away to the transporter company and of course Şahinler Metal Mak. End. A.Ş. or your supplier.

Remove any protective crates around the machine and read the instructions on related chapters of this Manual carefully to set up the machine. If the machine is damaged while transport, **immediately take some photographs for insurance** claims.

Take precautions while loading / unloading or moving the machine to avoid any injuries. Refer also to related chapter of this Manual for the best way of handling the machine.

## 3. Electrical Information

All necessary connection procedure can be found on this Manual. Do not try to connect the machine before reading these procedures and fully understanding the drawings. For any unclear matters get in touch with Şahinler Metal Mak. End. A.Ş. or any of the Şahinler distributors. Have the machine connected by a qualified electric technician. For, as we made clear in the “general conditions of guarantee”, under no circumstances installing mistakes, one of which is the electrical connection mistake, can be covered in the guarantee agreement. Always turn off power before making any connections or disconnecting the machine.

## 4. Maintenance

Your machine is designed and produced to work efficiently and smoothly. To achieve this you should also take care while operating the machine. Regard Maintenance sections to have the longest life from your machine. Try and use original spare parts where necessary and most importantly do not overload the machine or do not make any unauthorized modifications.

## 5. Safety

Take all precautions possible to avoid any personal injury while using the machine. Keep in mind to protect the third party people around the machine. Refer to safety instructions.

## GENERAL WARRANTY TERMS

- *Your machine is covered by manufacturer's guarantee for a period of 12 months from the date of purchase against manufacture defects. The warranty period does not exceed 18 months from the date of delivery from the manufacturer's factory.*
- *Warranty covers only manufacture defective parts and / or components that are reported as "defective" by a Sahinler Technician or the Agent Technician and must be reported to Sahinler in writing by fax or email.*
- *The manufacturer is responsible for the supply of free of charge spares only and cannot be held responsible for loss of work.*
- *Shipping and customs fees for the spare part must be paid by the end-user.*
- *If a technician travel is necessary Sahinler will not charge for labor and workmanship costs but the customer must pay traveling and accommodation charges.*
- *A Warranty claim does not relieve the Customer from payment obligations.*
- *The Customer can not ask or demand any reimbursement of damage nor the Customer will have the right to extend or delay payment obligations nor the cancellation of order and the refunding of damages as the guarantee is given for the defective parts of the machine and not for the job.*



**Note:** *All warranty claims must be applied with the Model, Serial Number and the Manufacture Year of the machine.*

## GENERAL SAFETY TERMS

### 1. Machine's Safety Accessories and Accident Prevention Terms

- The machine is provided with fixed shelters for the protection of all gears. But some mobile parts, because of their shape for the bending processing cannot be protected within a case. However, safety is guaranteed by the machine features and by the use of "human presence" controls.
- The machine is controlled by means of foot-pushed buttons present at the downside of the Mobile Control Panel. During operation the specified safety distance must always be observed.
- There is a red mushroom emergency button at the upside of the Mobile Control Panel to stop all the machine activity by disabling the electric supply until released. In case of an extraordinary situation, please push this button straight away.
- No other persons except for the qualified and well-trained operator should be allowed to use the machine and to be present in the working area of the machine.
- Any damaged or defective connections to the different energy supplies must be replaced.
- All interventions concerning installation, start-up, change of equipment, use, change to the use and the operation, regular maintenance, inspection and periodical maintenance can be performed only after disabling the machine according to relevant chapter of this handbook.
- For any intervention to change the machine's use, please contact to Şahinler Metal Mak. End. A.Ş. previously and ask for their written approval.

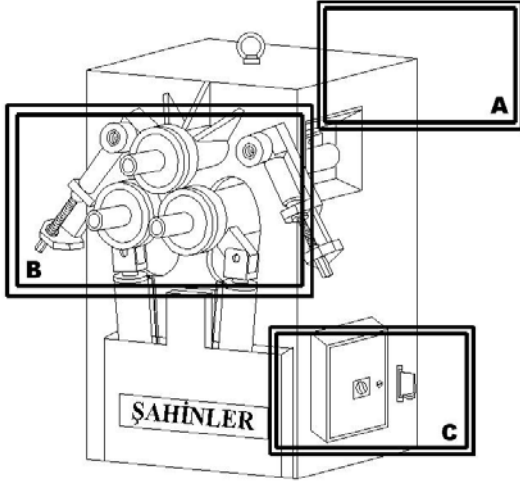
### 2. Abnormal Conditions

In order to avoid unusual working conditions, in the following several recommendations to the operator are listed. Also, do not forget that this machine can be used only in the conditions presented in this operation and maintenance handbook.

- Before connecting the machine double-check electrical connections read the instructions carefully. For, almost 65% of the failure reports we receive are based on either wrong electric connection or use in contradiction to the User's Manual.
- Avoid the approach of persons to the operator while the machine is running.
- Loading and unloading of the material should be done according to the instructions of this handbook.
- During the bending process avoid holding material with the hand.
- Never wear garments with loose parts, which may be dragged by the machine parts, long loose hair, necklaces, rings etc.
- Never use goods except for the allowed ones as operational materials.
- Never run the machine without safety devices.
- Don't climb on the machine.
- If the customer wants to install on the HPK 65 machine a piece of equipment, which has not been supplied by Şahinler Metal Mak. End. A.Ş., the compliance with the safety conditions explained here has to be checked.
- The machine cannot be installed and used in corrosive environments.
- The machine must always be operated with one qualified operator who has the required knowledge to use this machine properly.



### DANGER ZONES AROUND THE MACHINE



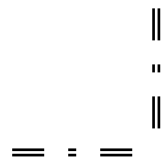
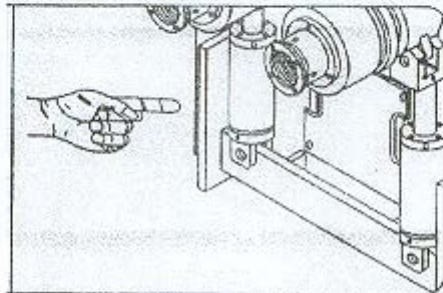
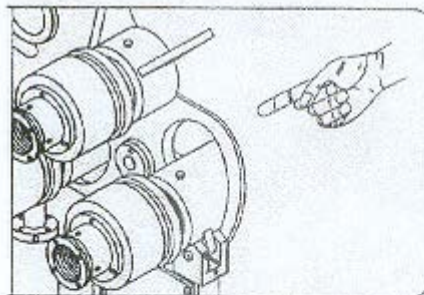
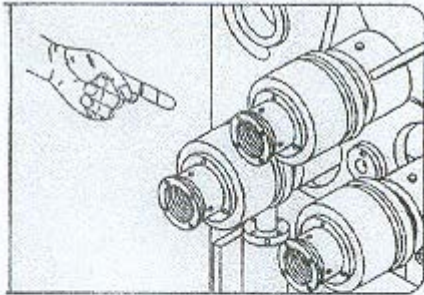
- A** - Inside the machine where the hydraulic and power systems are located
- B** - The main work area of the machine around the pinch points of rolls
- C** - Electric Box on the side of the machine

### POSSIBLE INJURY AREAS



**Warning :**

**NEVER** PLACE ANY PART OF YOUR BODY TO THESE AREAS WHILE THE MACHINE IS **RUNNING**



## TRANSPORT AND LIFTING OF THE MACHINE

The machine weight is approximately 750 kg. Use necessary cranes and lift as shown. Please take extra care during lifting and moving. If necessary consult with specialized companies for lifting.

APPROX MACHINE WEIGHT 750 Kg.

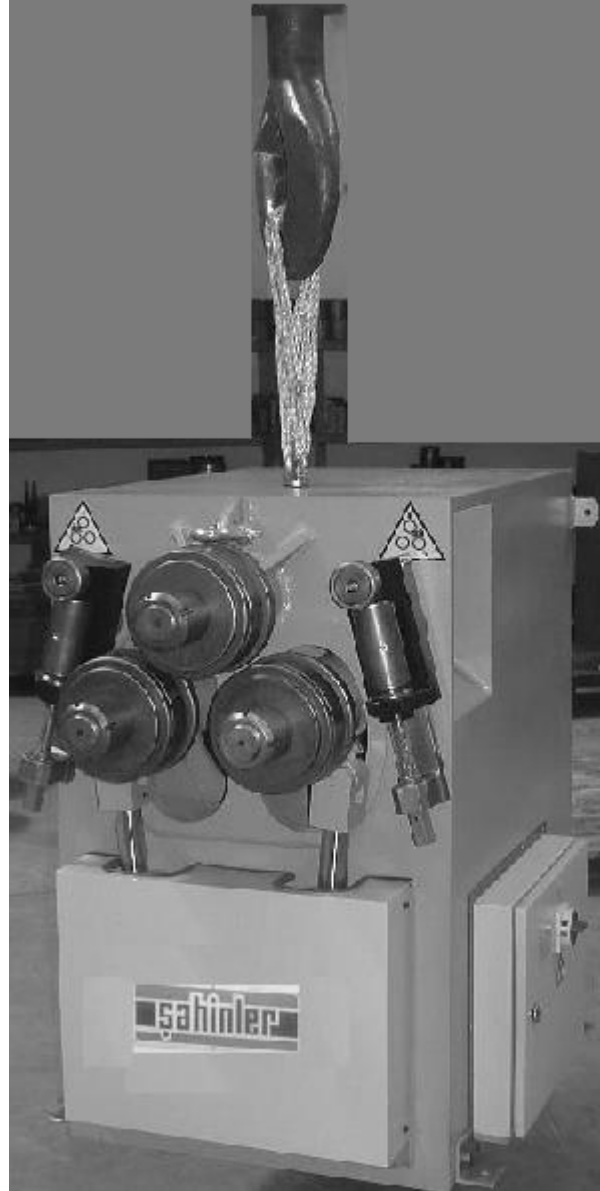


Figure 1

## OPENING THE PACKAGE

If any visible damage exist on the machine when you receive the machine immediately informs the dealer or manufacturer. Also never forget to state the visible damage on transport documents.

The packing material is completely safe and do not consist any environmentally dangerous articles. However they must be kept out reach of children as some nylon products in packing may cause suffocation if used as a toy etc.

## FOUNDATION AND MAIN DIMENSIONS OF THE MACHINE



**Note:** The manufacturer doesn't accept any responsibility for damages due to the nonobservance of the above specifications.

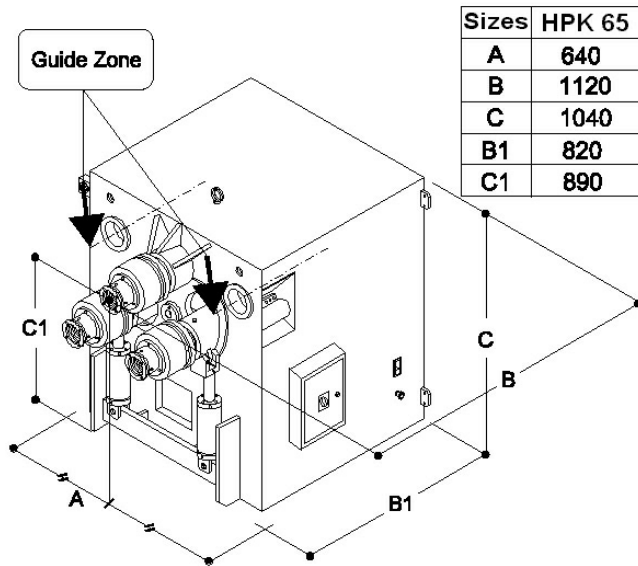


Figure 1

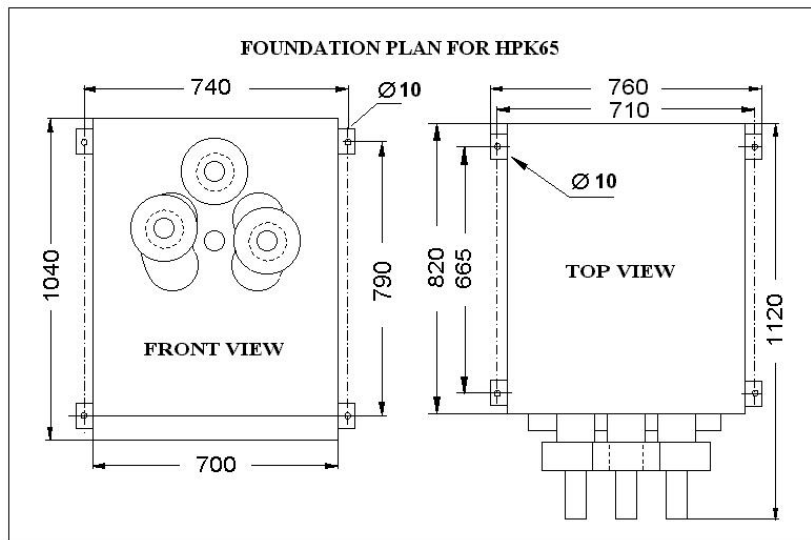
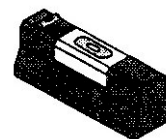


Figure 2

Figure 1,2 shows the main dimensions of the machine. Figure 3 shows the work area. This area is illustrated considering the machine located horizontally. If you operate it vertically, then the borders will be the same. Vertical and horizontal positions are shown figure 4. For vertical or horizontal operations the machine must be placed smooth as shown and must be bolted to the ground.



**Note:** All machines must be carefully adjusted before operation with a water gauge.





**Note:** Always leave necessary safety distance

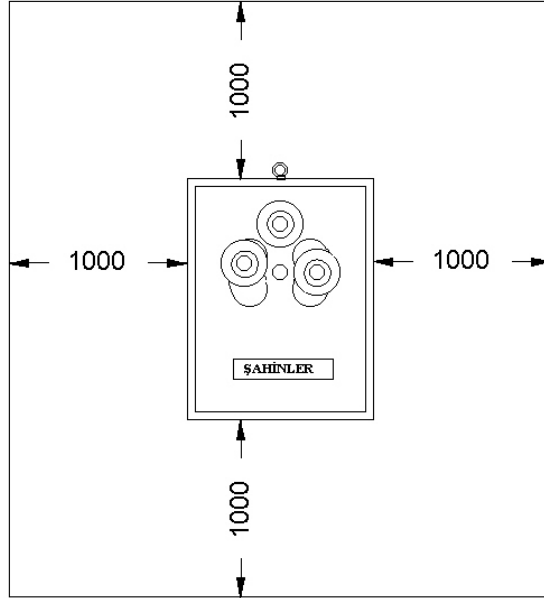


Figure 3

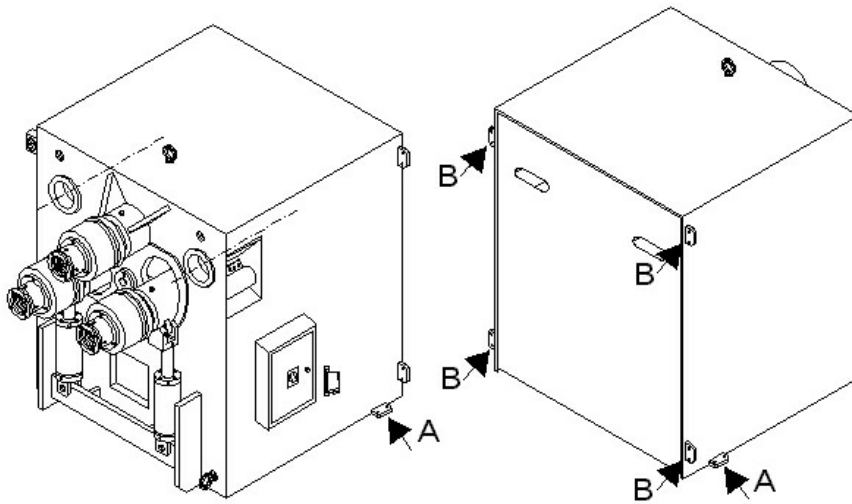
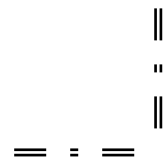


Figure 4



## OPERATING HPK 65 AS HORIZONTAL

Before positioning the machine it is necessary to leave enough working area for the proper bending operations such as extraction of the cylindrical profile, feeding of the semi product, bending of big diameters.

If you have no alternative to install the machine in a broad area but a low-height area, then there is a solution to this problem as shown in figure 2.

To set the machine horizontally follow these steps:

- Wrap a belt capable of carrying at least 4 tons around the top roll's shaft (shown by ① in fig. 1).
- Lift the machine slowly by means of a forklift or a crane with hook.
- After that, slowly lower the machine.

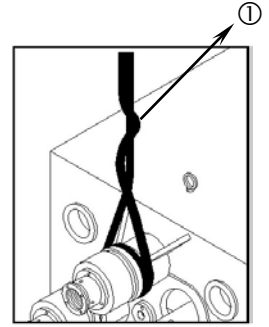


Figure 1



**Attention:** Do not wrap the belt around the top roll adjustment screw so that it may be bent or its teeth may be damaged.

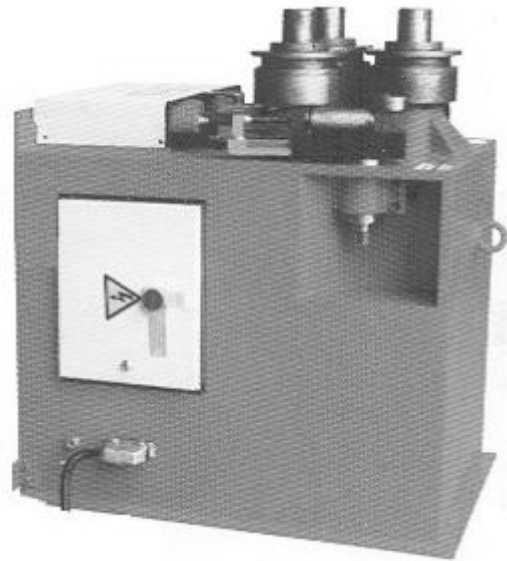
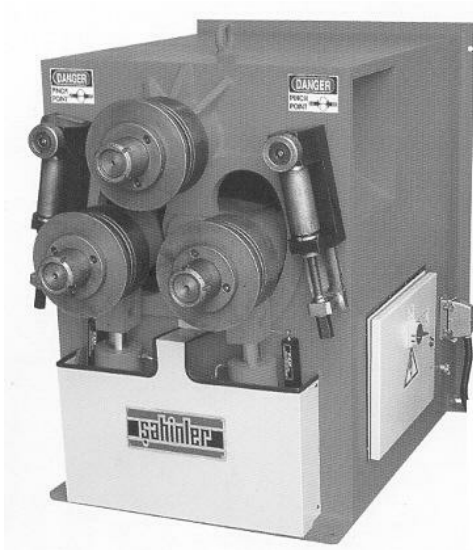
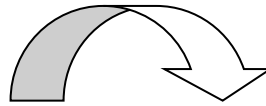


Figure 2

## HPK 65's TECHNICAL PROPERTIES

As a superior model in its own class the HPK 65 is equipped with a powerful motor and a low noise reduction gearbox, which gives the machine power to bend with ease. The digital Read-Outs on bottom rolls give higher accuracy and increase the efficiency. By using Mobile Control Panel you can easily and safely bend the required materials. General Technical Information of HPK 65 is given below.



MODEL: HPK 65		
Shaft Diameters	Ø mm	50
Roll Diameters	Ø mm	180
Working speed	m/min	5
Motor Power	KW	3
Weight	kg.	750
Length	Mm	820
Width	Mm	645
Height	mm	1045

### STANDART SPECIFICATIONS

- Three Rolls are Powered
- Steel Construction Frame
- Rolls Shafts are Special Steel Material
- Rolls are Hardened and ground
- Horizontal and Vertical Working Position
- Brake Motor Equipped
- Standard and Hardened Rolls
- Mobile Control Panel
- 3-Axis Mechanical Lateral Angle Guide Rolls
- User's manual
- Brake motor
- Digital Read-outs ( 2 pcs. )

### SPECIAL FEATURES

- Pipe, Tube and Profile Bending



**Note :** Machine dimensions are approximate

### SAFETY UNITS

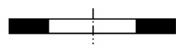
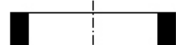
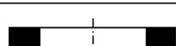
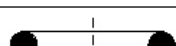
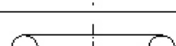
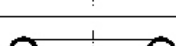
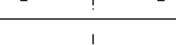

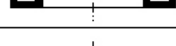
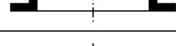
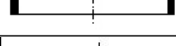
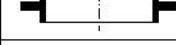
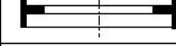

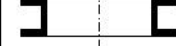
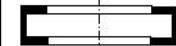
- Emergency Button on Mobile Control Panel
- Various DANGER signs around the machine
- Overload Circuit – Breaker
- Safety lock on main power supply.



**Note:** Due to various safety regulations, the specifications presented here can change from country to country without prior notice. Above dimensions and other characteristics can also change without prior notice due to our constant improvements on our products.

Please note that some, angle materials and all pipe materials need special rolls. Please ask for special rolls if necessary.

### CAPACITY CHART FOR MODEL HPK 65

No	Profile type	Maximum size	Min. int $\varnothing$	Notes
1		60 x 10 20 x 5	500 250	<b>Standard rolls</b>
2		80 x 20 80 x 5	500 250	<b>Standard rolls</b>
3		32 x 32 12 x 12	400 220	<b>Standard rolls</b>
4		$\varnothing$ 35 $\varnothing$ 10	350 200	Optional rolls
5		$\varnothing$ 60x2 $\varnothing$ 15x1,5	600 200	Optional rolls
6		$\varnothing$ 2"x3,91 $\varnothing$ 1/2"x2,77	350 200	Optional rolls
7		50x25x3 20x15x2	450 250	Optional rolls
8		45x45x3 20x20x2	550 250	Optional rolls
9		60x60x6 30x30x4	650 350	Optional rolls
10		50x50x5 30x30x4	550 350	Optional rolls
11		60x60x7 20x20x3	550 250	<b>Standard rolls</b>
12		50x50x6 20x20x3	500 250	<b>Standard rolls</b>
13		60x60x7 20x20x3	500 250	<b>Standard rolls</b>
14		UPN 80 UPN 30	450 250	<b>Standard rolls</b>
15		UPN 65 UPN 30	450 250	<b>Standard rolls</b>
16		IPN 80	600	Optional rolls

- We reserve the right to make changes without notice
- Capacities are given for ST 42 material.



**Warning: Do not** feed profiles having a higher thickness than specified for the capacity of the machine.

**Do not** feed more than one piece at a time.

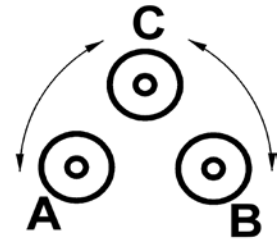
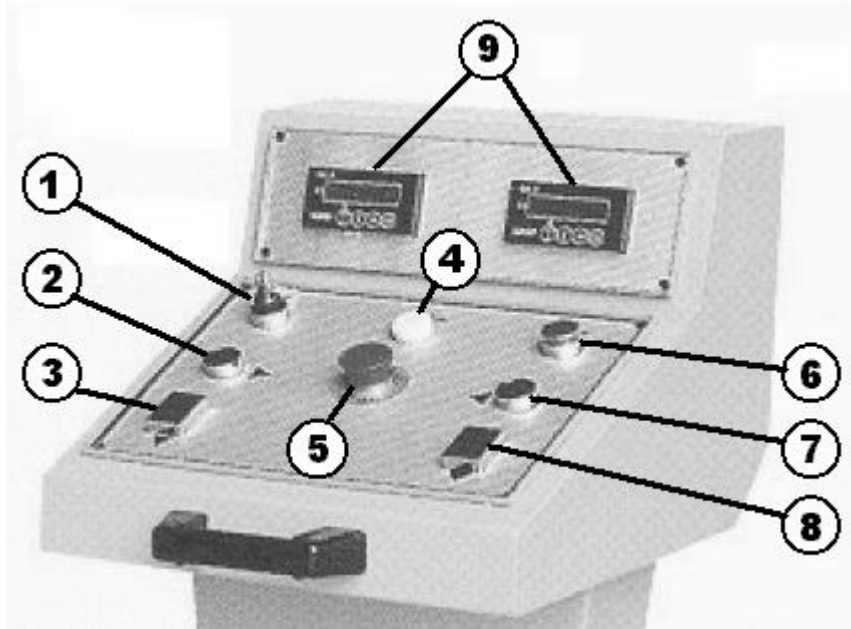
**Do not** use the machine for any other scope the one for which it has been designed.

## OPERATING THE MACHINE

The Mobile Control Panel is your interface with the machine and it is very easy to operate the machine.

Here are the names of the buttons on Control Panel:

1. **Power On Key Switch** - Safety Key Switch. When the machine is not in use please remove the key to avoid unauthorized operation
2. **Rolls rotation button** – right
3. **Left bottom roll** – Up and down
4. **Power on indicator** – When on this indicates the machine Main Power Switch is on and ready to start
5. **Emergency stop**
6. **Start Button** – To start to hydraulic pump and all functions
7. **Rolls rotation button** - left
8. **Right bottom roll** – up and down
9. **Digital displays** - for Roll Left and Right



- A. Left roll
- B. Right roll
- C. Top roll

- Turn on the Main Switch on the Machine Electric Panel
- Turn on the Main Power Key Switch (No.1)
- Check that the Emergency Button (No.5) is released
- Push Start Button (No.6)
- You should hear the hydraulic system activating



### Warning

If the rolls do **NOT** move at this point it means that the electric cables have been connected inverse. immediately stop the machine and reverse the electric cables.

- Try rotating the rolls (No.2 and 7)
- If everything works properly you can proceed with bending

## STANDARD EQUIPMENTS FOR HPK 65

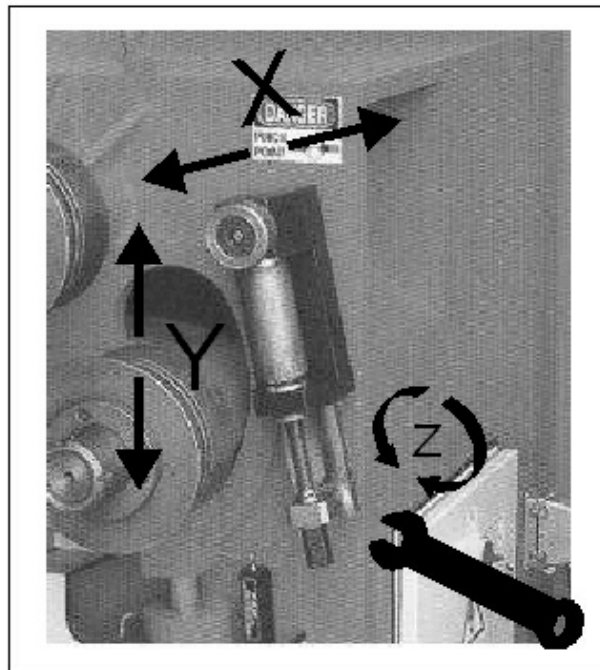
### ADJUSTING THE GUIDE ROLLERS

The Guide Rollers are very important on the machine as they directly affect the outcome of any bending to be smooth and accurate.

There are three axes movements to this system

- Y - Vertical Drive
- X – Horizontal Drive
- Z – Radial Drive

See picture ( Mechanic Guide ) below to understand axes movements



Y – Axis  
Up / Down

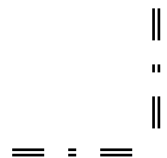
X – Axis  
Forward/Backward

Z – Axis  
Radial/Movement



**Warning:**

Do **NOT** place any part of your body on the Guide Rollers while adjusting them.  
Be careful to other people around the machine who may be in danger while adjusting.



## **BENDING OPERATIONS**

### **NORMAL BENDING OPERATIONS**

You can feed the material to the machine from both sides. Use the digitalis to adjust the rolls. Also adjust the guide rollers to achieve a better accuracy and better finish.

To give an idea on a simple bending following steps can be taken. Please note that you will get better quality from the machine with experience.

### **IMPORTANT**

If the material to be bent is long we recommend a material support/feed unit for higher accuracy. One feeder/support in each 2 meters should be sufficient.

- Place the material between the three rolls on such a position that the material will be parallel to the ground and touching all three rolls at the same time. This position is called zero position.
- Both bottom rolls must be equally away from the top roll. This rule is applied the same for the machine in Vertical Position (figures 1 and 2)
- Raise one of the rolls depending on the direction of the rolling. And start turning the rolls and when the end of the material reaches between all three rolls raise the other roll and bend in the opposite direction.
- By following the above step you can bend until it reaches the diameter required.
- With the optional equipment of Digital read-outs you can always know the exact position of the rolls.



**FIGURE 1**



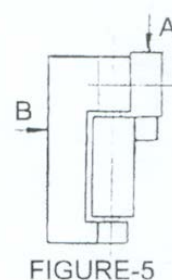
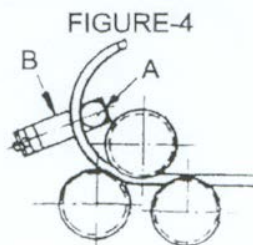
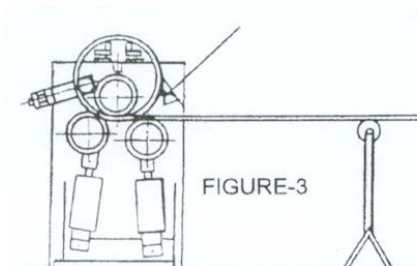
**FIGURE 2**

### **SPIRAL(HELIX) BENDING**

It is rather difficult to make spiral bending and needs experience. The following steps can be taken to start with;

- Arrange the rolls in a position so that they are 3-4 % smaller than the required diameter (Figure 4)
- The guide roller A (figure 5) must be adjusted until the required diameter
- For full diameter bending cut the material as  $\pi$  times the diameter. Remember to leave necessary cut of length. Where at the end of bend two flat parts meet cut of the flat parts and bend until the edges meet.
- In tight spirals where the edge tends to go inside the spiral use a lever to overcome this tendency (Figure 3)
- On arc bending use the guide roll A (figure 5) to obtain the necessary finish arc. If you are bending pipe the roller A needs to be replaced with a pipe roller also.

During the bend of thin profiles or thin material due to intense bending power a wave may occur on the finished material. Use the nut on Roller B (figure 5) to avoid this problem.



### ADJUSTING INSTRUCTIONS

With the HPK 55 machine one set of standard rolls is supplied .If these are arranged and adjusted in combinations most of the profiles and some angle material can be bent.

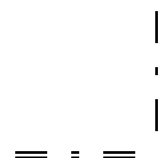
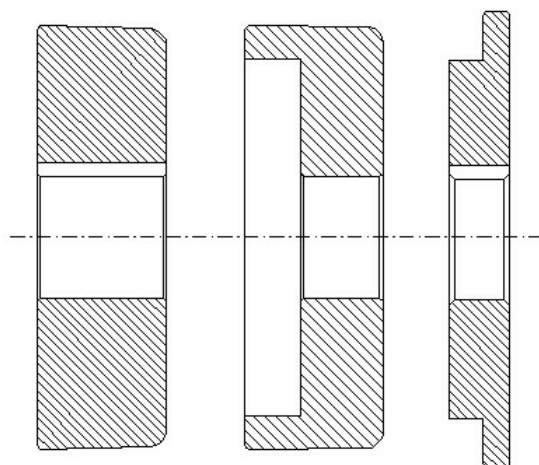
Adjustment of rolls and correct positioning of the rolls is critical for the efficiency of the machine. Some of the basic references are

- Expansion of the rolls after long term use due to thermal over heat.
- Position of the material between the rolls.
- Position of the spacers.
- Adjusting top roll coupling if necessary
- Positioning using the scale or Digital read-out

When bending too tight material or during serial production you may notice a swelling in the inside diameter of the material. This is due to top roll which expands due to overheat but does not move up. Moving the top roll a little up will solve the problem.

On bending where more power is needed the coupling of the top roll can be loosened to achieve greater rotation or you can use larger top roll so that the material ends are rigidly pushed between the rolls.

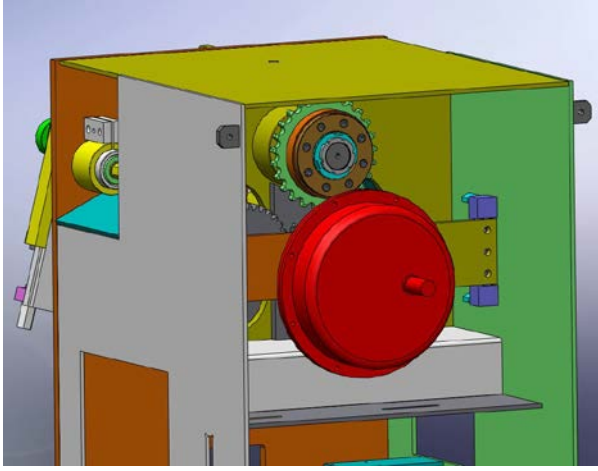
Here the rolls and the spacers are numbered below. Use these numbers to position the roll according to the drawings on following pages.



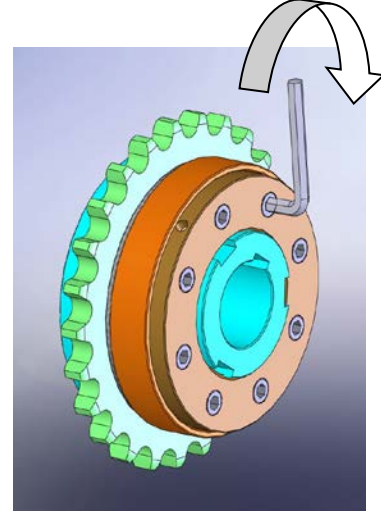
## Clutch System;

If the top roll stops, while lower rolls are turning, than the pressure springs must be tightened a bit. To make this you have to screw the setscrews shown in Step2.

The balance of the clutch system is shown below step by step.



Step1



Step2

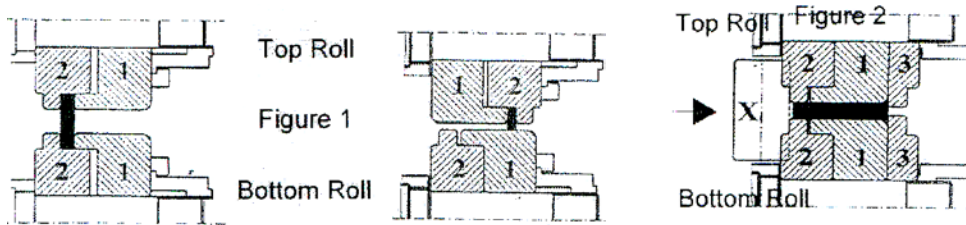
1. Open the back cover.
2. Screw them through arrow direction with an ally key.(6)



**Note :** Keep to tighten it until top roll begins to turn.

**FLAT BAR BENDING**

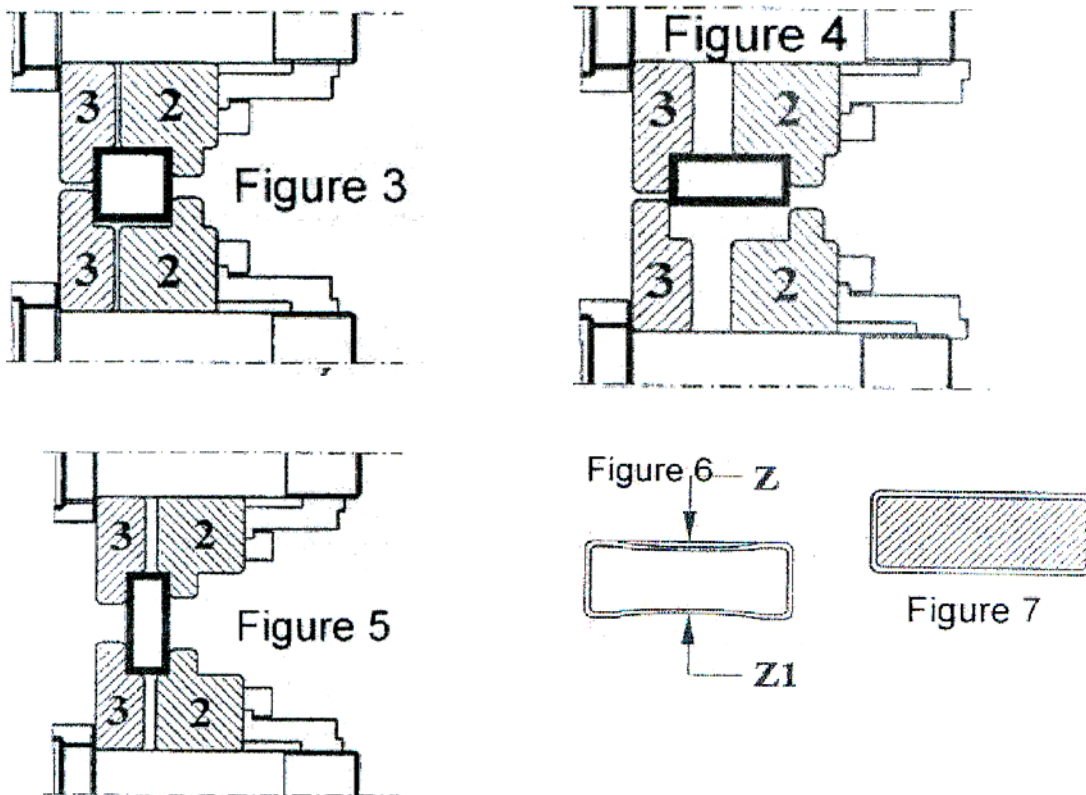
You can bend all kinds of flat bars the easy way or the hard way by adjusting the rolls as necessary. Some examples are below. See figures 1-2. Also the use of guide rollers (X) is strongly recommended. figure 1 shows how to bend the hard way for high end bars and short and small bars. As always experience will help you achieve better results.



**BENDING PROFILES**

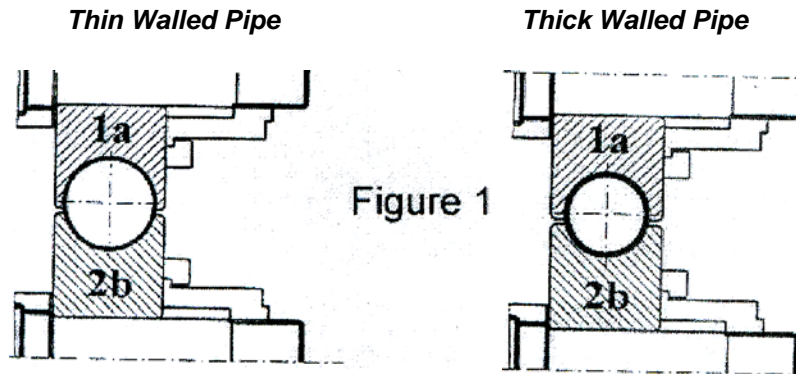
If the profiles are thick walled you can use the rolls as shown in figures 3-4-5. If the wall thickness is thin then special rolls must be used.

Bending profiles accurately is somewhat difficult due to tendency of the material to deflect (figure 6) A good recommendation is to fill the profile with a filling material which will resist the bending forces and will help the profile to keep its wall integrity. It must also be noted that this filling material must be easily removable after operation.



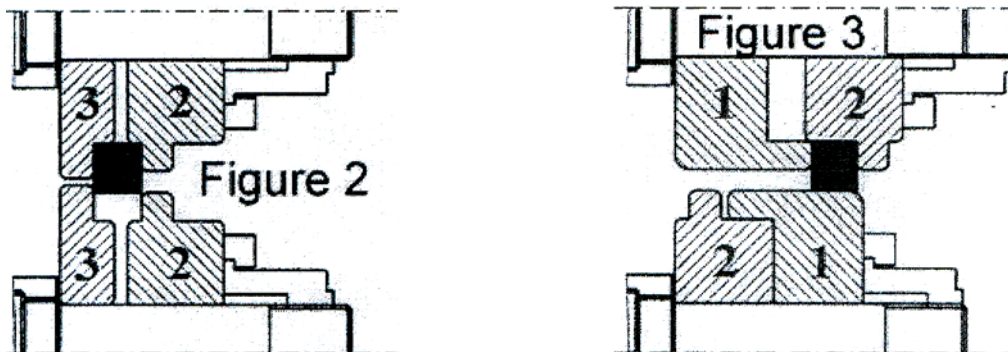
## PIPE BENDING

For all different pipes you need a different set of pipe rolls. And the rolls must be precisely adjusted to achieve accurate products. On the specials rolls you buy one of them is numbered "1" and the others are numbered "2". The number "2" rolls must be placed to bottom rolls and number "1" is the top roll. Roll number "1" has a deeper diameter. See figure 1 below



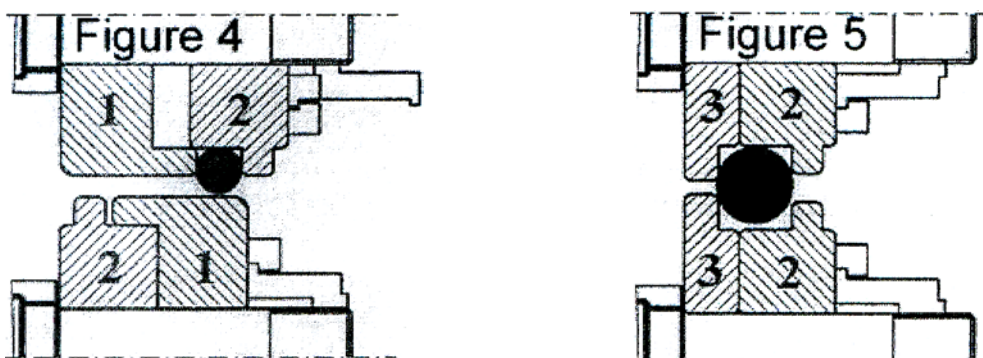
## SQUARE BAR BENDING

Figure-2 shows the roll positioning for bending large dimension square bar to large diameters. Figure-3 shows positioning for small dimension squares.



## ROUND BAR BENDING

Figure-4 shows the roll positioning for bending small diameter round bars. Figure-5 shows the roll positioning for bending large diameter round bars.



**LEG-IN ROLLING WITH GUIDES**

Adjust the rolls for leg-in bending as shown in figure-1. The top roll safety flange must **NOT** be too tight or the material will wave. Both radial (Y) and axial (X) rollers of the guide roller must be touching the material end. (figure-2) adjust the rolls so that a diameter 5% smaller than the necessary diameter can be achieved. This is necessary for the ends of the material to meet at the end of a full circle bending. The radial (Y) must be forcing the material at all steps of bending. (figure-3) the axial rollers (X) must be used to correct the feed direction. If the material is tending to go towards the machine the axial rollers (X) must be pushed more. If the material is tending to bend away from the machine then one of the axial rollers (X) must be pushing too hard. It must be relieved.

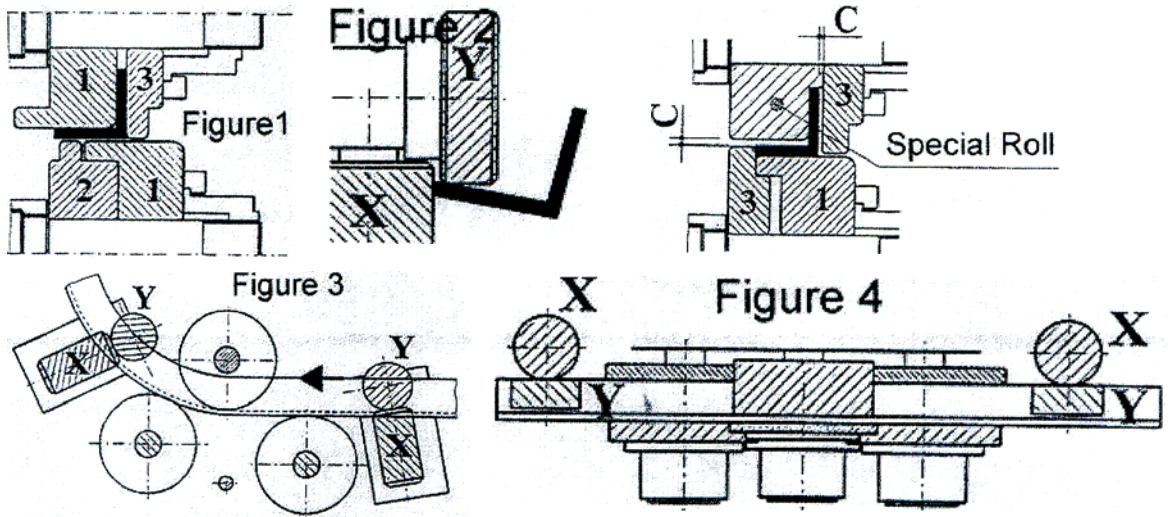
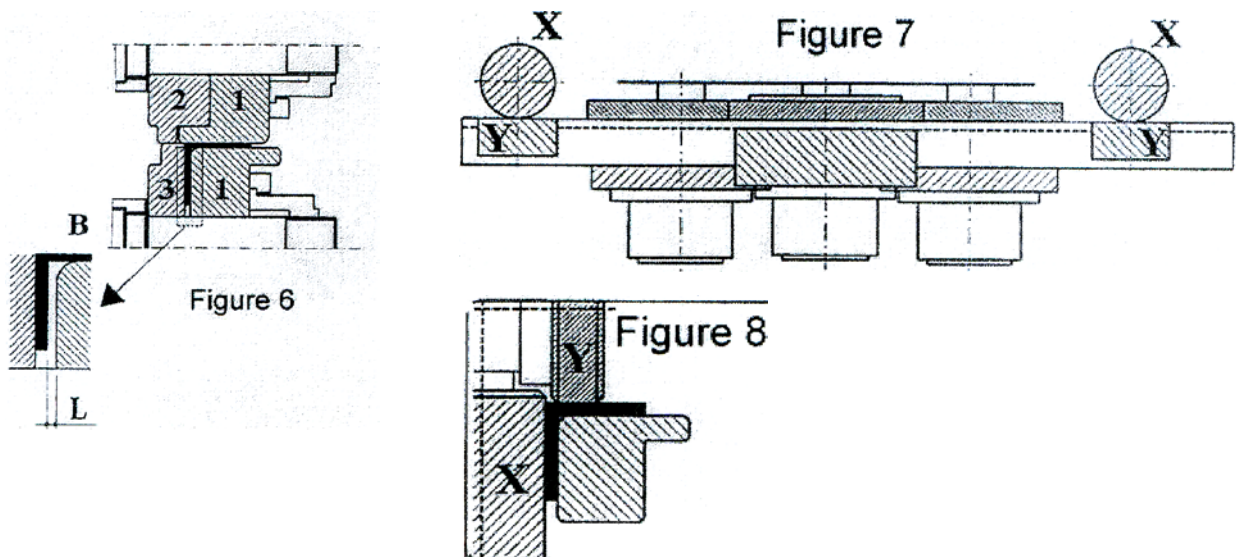


figure-1 is a set up position for a standard leg-in material. Although you can bend most leg-in materials with standard rolls we recommend you special rolls for serial jobs.

**LEG-OUT ROLLING WITH GUIDE ROLLS**

The rolls must be positioned as shown in figure-6 to bend leg-out Distance between the sections (L on figure-6) must be some 10 % wider than the material itself. Adjust the rolls so that a diameter 5% smaller than the necessary diameter can be achieved. This is necessary for the ends of the material to meet at the end of a full circle bending. The radial roller (Y) must be forcing the material at all steps of bending. (figure- 7 and 8)The axial rollers (X) must be used to correct the feed direction. If the material is tending to go towards the machine the axial rollers (X) must be pushed more. If the material is tending to bend away from the machine then one of the axial rollers (X) must be pushing too hard. It must be relieved.(figure-8)



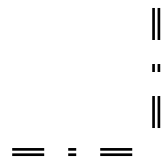
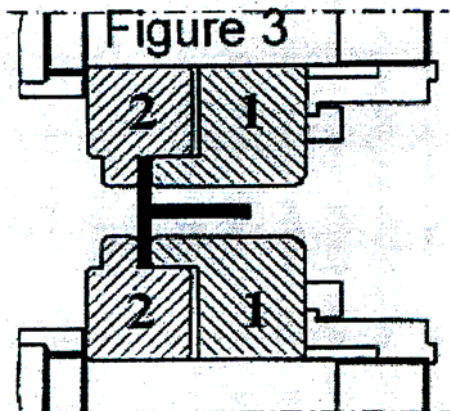
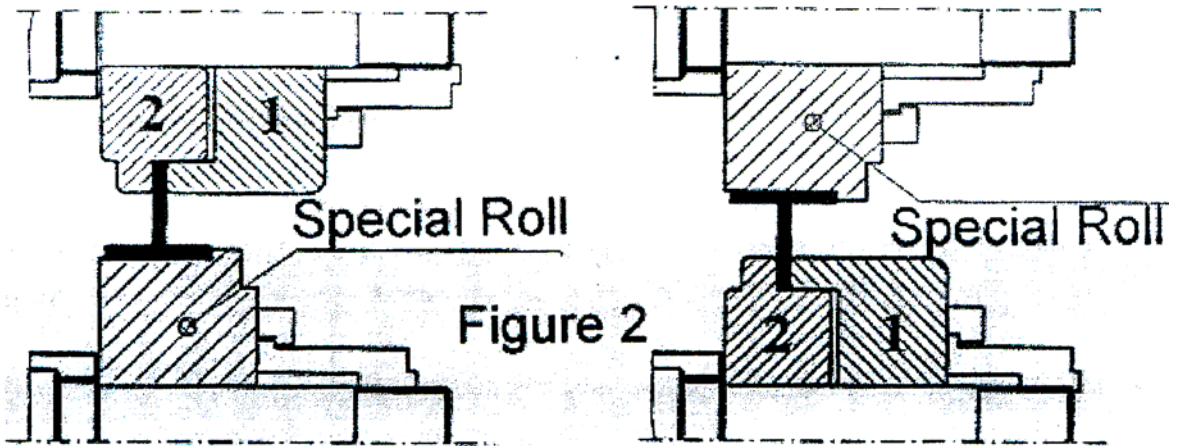
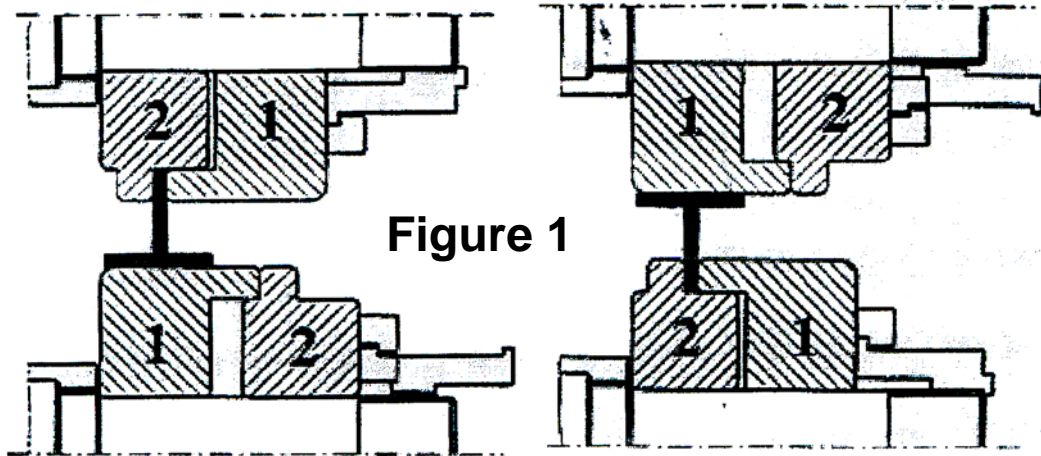
**T-SECTION ROLLING**

Figure-1 T-Section Inside Bending T-Section Outside Bending

Figure-2 T-Section Inside and Outside Bending with Special Roll

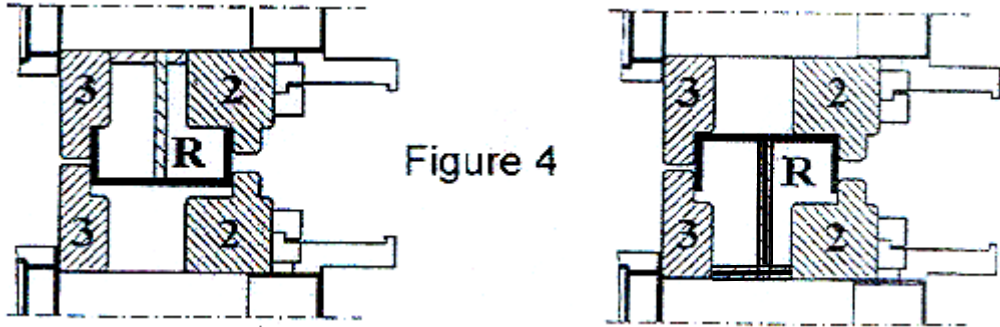
Although you can bend most T materials with standard rolls we recommend you special rolls for serial jobs and better finish and accuracy.

Figure-3 T-Section side bending



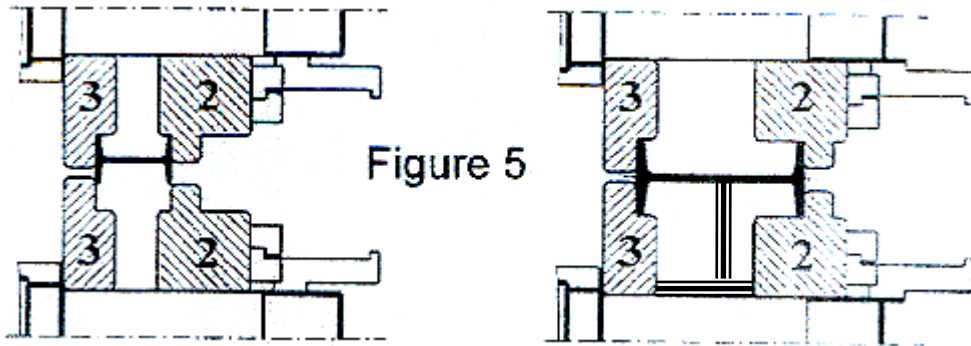
**U - SECTION ROLLING**

Figure-4 U-Section Inside and Outside Bending  
We recommend the use of a spacer ( R ) to avoid crumpling of the material in the middle



**I - SECTION ROLLING**

Figure-5 I-Section bending in small or large materials



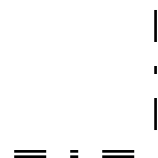
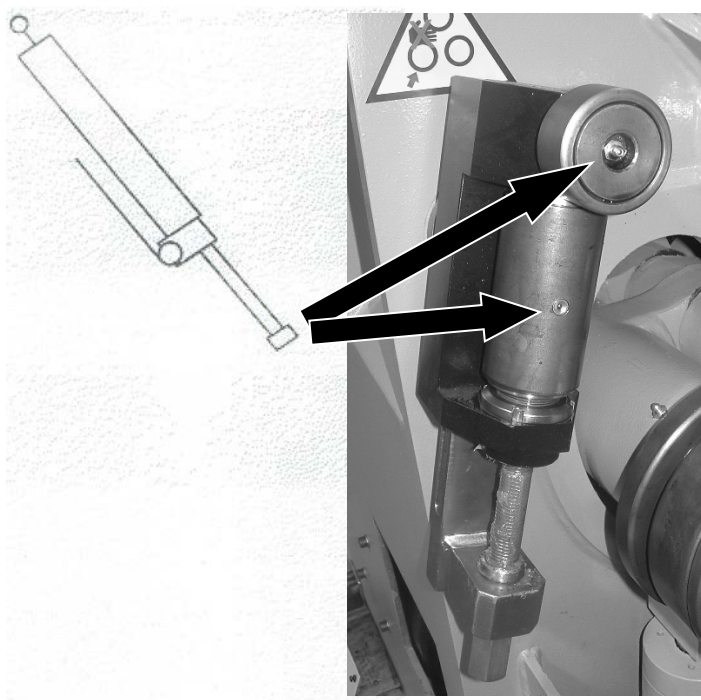
## LUBRICATING THE GUIDE ROLLERS

The Guide Rollers must also be lubricated periodically. Use a greasing pump for lubrication



### ATTENTION

The machine must be powered off before any maintenance



## MAINTENANCE AND LUBRICATION INSTRUCTIONS FOR HPK 65

A suitable maintenance is also compulsory to get a maximum machine life and optimal working conditions for machine's efficiency.

A regular maintenance interventions should be performed by a well-trained safety responsible and if possible by a mechanical engineer.



**Attention:** Regular and scheduled maintenance interventions cannot be performed by running machine. The main switch must be turned off. Besides, a warning signal telling, "**DO NOT ACTIVATE - MACHINE IN MAINTENANCE**" must be clearly visible on the machine.



**Attention:** Any processing system, which may endanger the machine safety, must be avoided.



**Attention:** For replacement of oil, use a funnel with a filter in order to avoid that impurities enter into the gearbox or among the other movable parts and damage the good functioning of the machine.

**Internal cleaning of the electric box is also needed and must be done like in the following:**

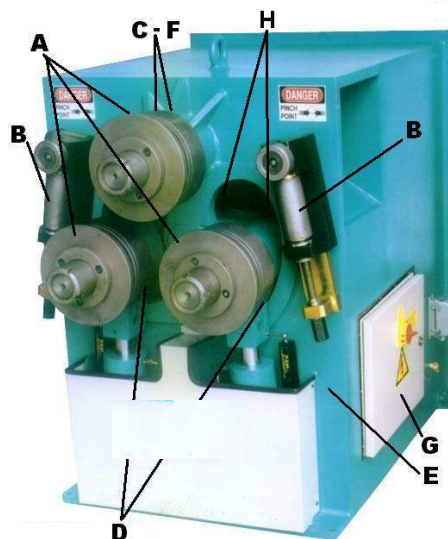
- Turn off the machine moving the main switch on the electric box "0".
- Disconnect the mains supply from the electric board.
- Open the electric box lock.
- Do not use liquid detergents while cleaning the electric box inside.
- Check the connections to the terminals of the different devices.
- Tighten any loose connections.
- Close the door of the electric box and check if it is closed perfectly enough.
- Connect the electric board to the mains.
- Restart the machine according to the start procedure, and check if there are any anomalies because of faults or unintentional tampering during maintenance.

### General Maintenance

The machine needs to be lubricating periodically for efficient working and longer to be lubricated periodically for efficient working and a longer life. You can see the points of lubrication list below and a lubrication chart for periods of lubricated

As the machine does not include any kind of hydraulic system, it is simple to lubricate its functional parts as shown in the below and back page.

#### Lubricate chart



<b>PART NO</b>	<b>CONTROL</b>	<b>WHAT TO DO</b>	<b>PERIOD</b>
A	Rolls	Clean the rolls	Every work day
B	Guide rolls	Grease if necessary	Every Week
C	Top roll bushing	Grease and lubrication	Every month
D	Bottom rolls bushing	Grease and lubrication	Every month
E	Oil tank	Refill in necessary	Every year
F	Roller bearing	Grease	Twice a year
E	Oil tank	Complete hydraulic oil change with oil list	Once a year
G	Electric box	General cleaning	Once a year
H	Bottom rolls Back section	Grease	Every week



**Note :**

The rolls of the machine must **NEVER** be greased or lubricated. Because, then the rolls will slip the material and will not bend. Always keep the rolls clean and free from grease or any lubricant. Also make sure that the material is free from grease and dirt.

These points have all grease nipples marked with an **OIL** sign and must be greased periodically at least once a month or more if daily usage exceeds 8 hours a day.



**Note :**

That some of these points are actually inside the machine cover and the back cover must be removed in order to reach them. Any standard commercial grease can be used for lubrication.

**Hydraulic maintenance**

The machine has two bottom rolls that are adjustable with two hydraulic pistons which are operated with a simple but efficient almost maintenance free hydraulic unit. Also the rolls are powered by a single gearbox. However at list once month we recommend you to remove the box cover and inspect any substantial oil leaks from the hydraulic unit or from the pistons.



**Attention :**

That there can be a significant amount of oil if the machine is operated for the first time in horizontal mode. This is normal as the will probably leak from the top of the oil tank when turned the horizontal position.

**Comparative hydraulic oil chart**

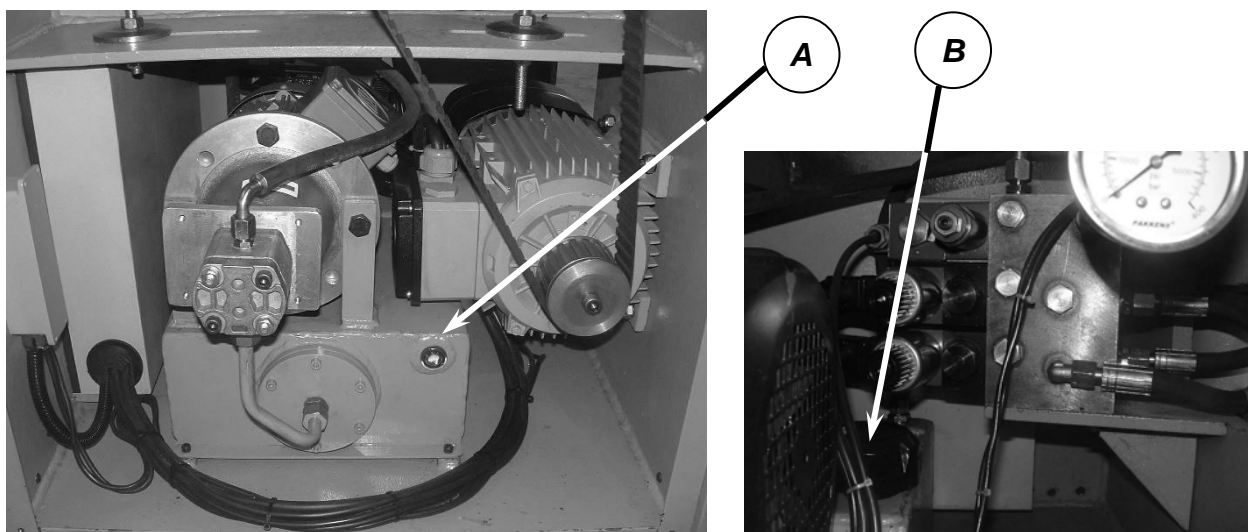
The hydraulic tank cap of the machine air holes. Only during and immediately after transport and when the machine works in horizontal position there may be visible oil leak from the bottom. There is nothing wrong with the machine and this oil is not important. It is only the excess oil from the tank. The machine will still operate normally.

On most of our machines hydraulic systems we use **“GRADE 32”** hydraulic mineral oil and **“GRADE 46”** hydraulic oil. Generally we recommend the use of **“SHELL TELLUS NR. 46”** and **“BP ENERGOL NR. 46”** for hydraulic system.

<b>Brand</b>	<b>DIN 51524 Specification 32 Grade Mineral Oil</b>	<b>DIN 51524 Specification 46 Grade Mineral Oil</b>
Agip	OSO 32	OSO 46
BP	Energol HLP 32	Energol HLP 46
Castro	Hyspin AWS 32	Hyspin AWS 46
Elf	Elfolna 32	Elfolna 46
Esso	Nuto H 32	Nuto h 46
Fina	Hydran 32	Hydran 46
IP	Hydrus 32	Hydrus 46
Mobil	DTE 24	DTE 25
Q8	Haydn 32	Haydn 46
Shell	Tellus 32	Tellus 46
Texaco	Rando HD 32	Rando HD 46
Total	Azolla ZS 32	AzollaZS 46

### **Reduction gearbox maintenance**

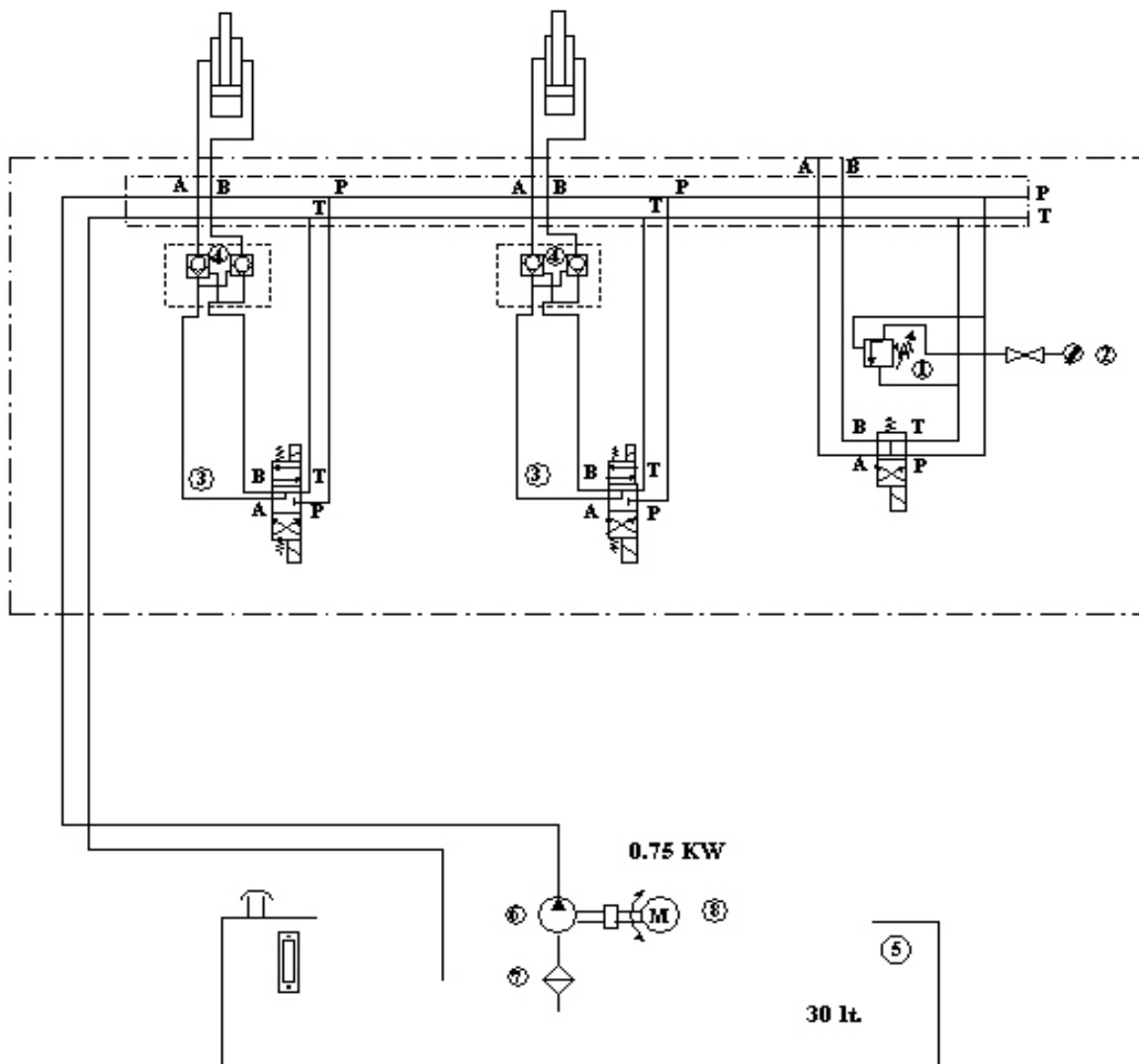
The reduction gearbox used in the machine are hydraulic motor powered and are completely maintenance free. However a periodical on the outside will make sure it runs properly. They are placed inside the machine and clearly visible when the back cover is open. Check and secure any loose bolts if necessary.



### **Hydraulic system control**

Check the hydraulic oil level (A) and replace with hydraulic if necessary. We recommend the use number 46 of shell Tellus hydraulic oil or any equivalent from any other brand. Oil can be removed from the tank by removing the cap (B) under the oil gauge (A). Shown as above.





- 1- Pressure Control Ventli
- 2- Manometer
- 3- Directional Valve
- 4- Twin - return Valve
- 5- Oil tank
- 6- Pump
- 7- Suction Filter
- 8- Motor

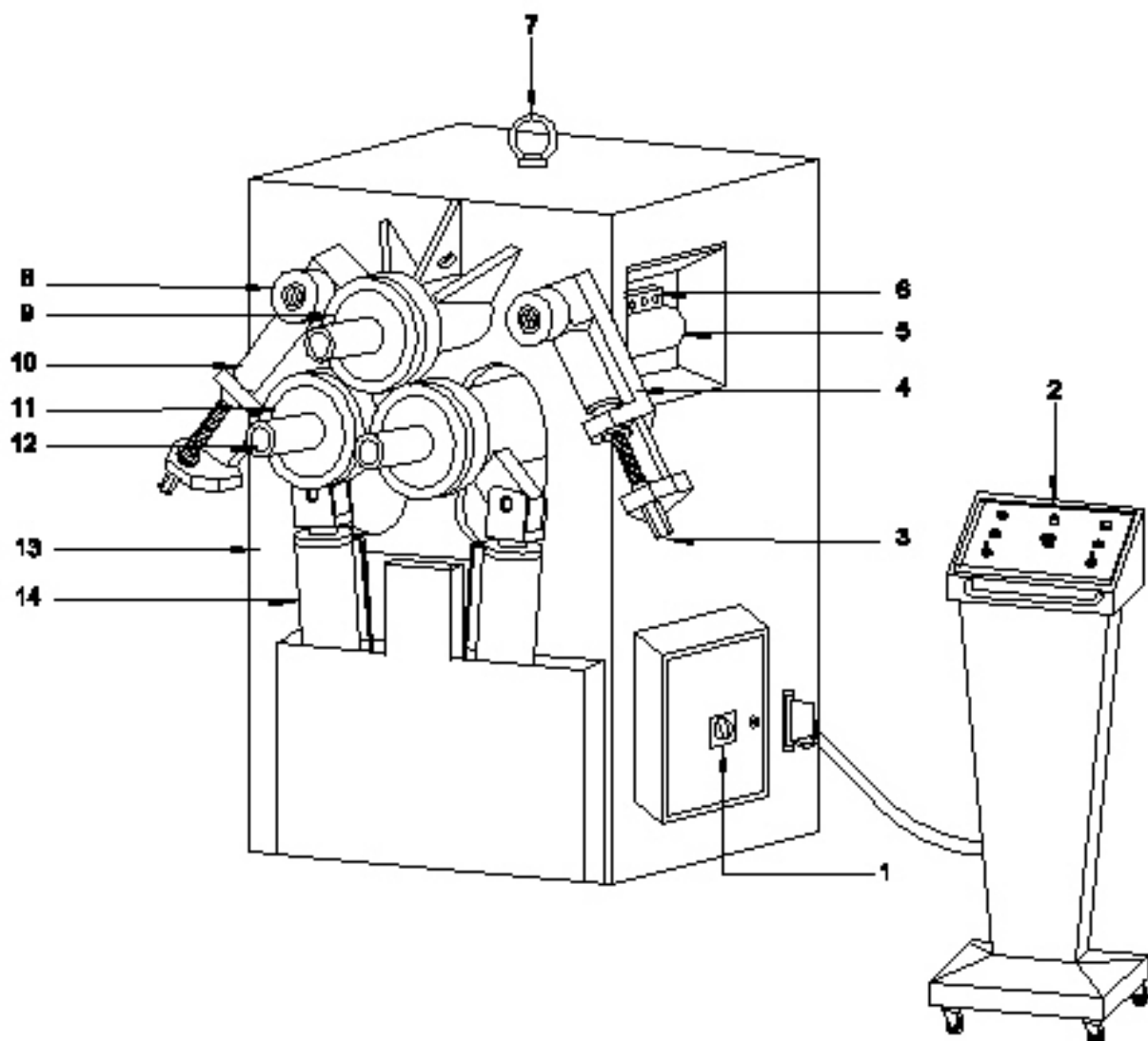
**HPK - 60-S**

Dosya adı

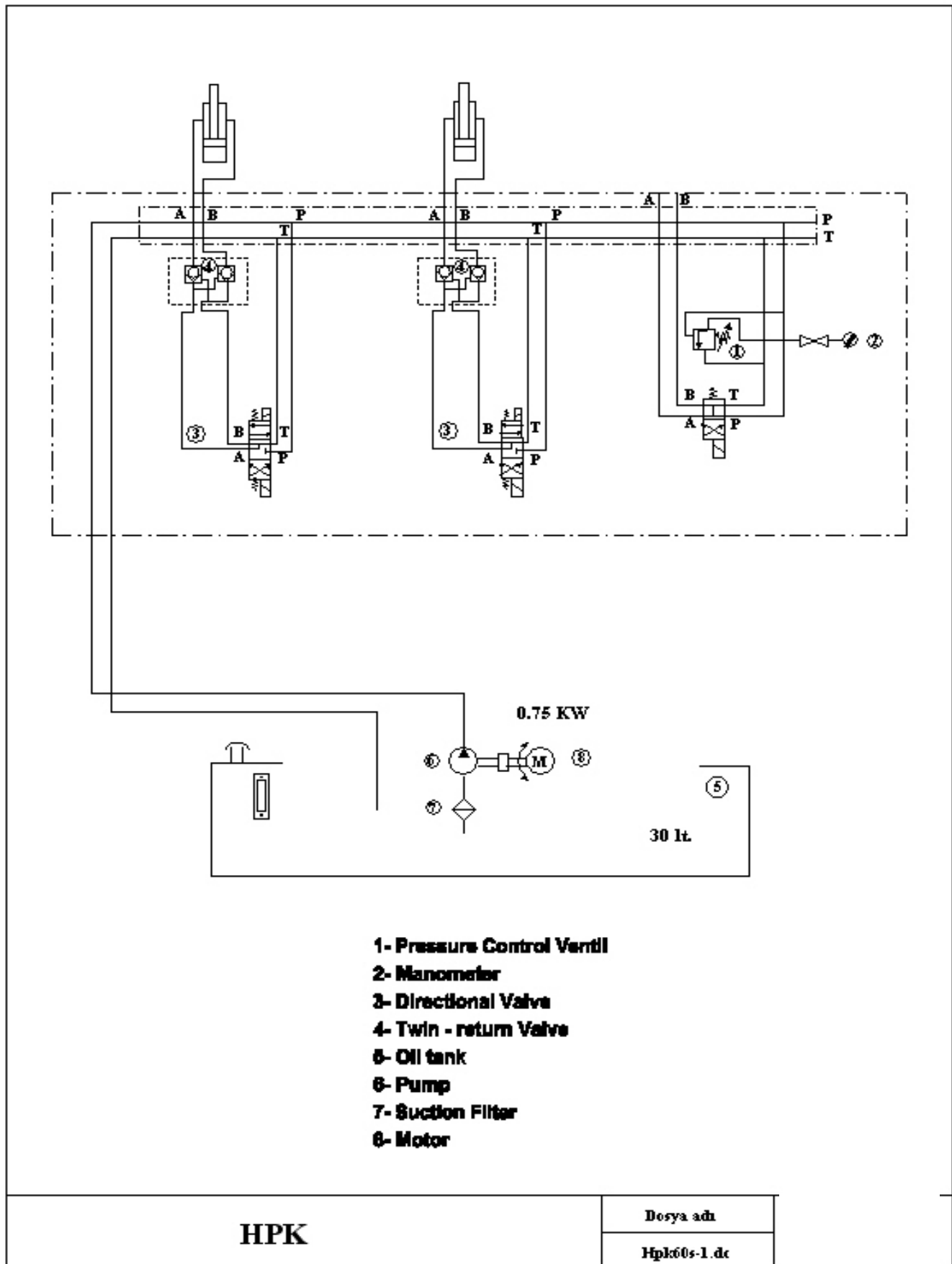
Hpk60s-1.dc

**Fig01**

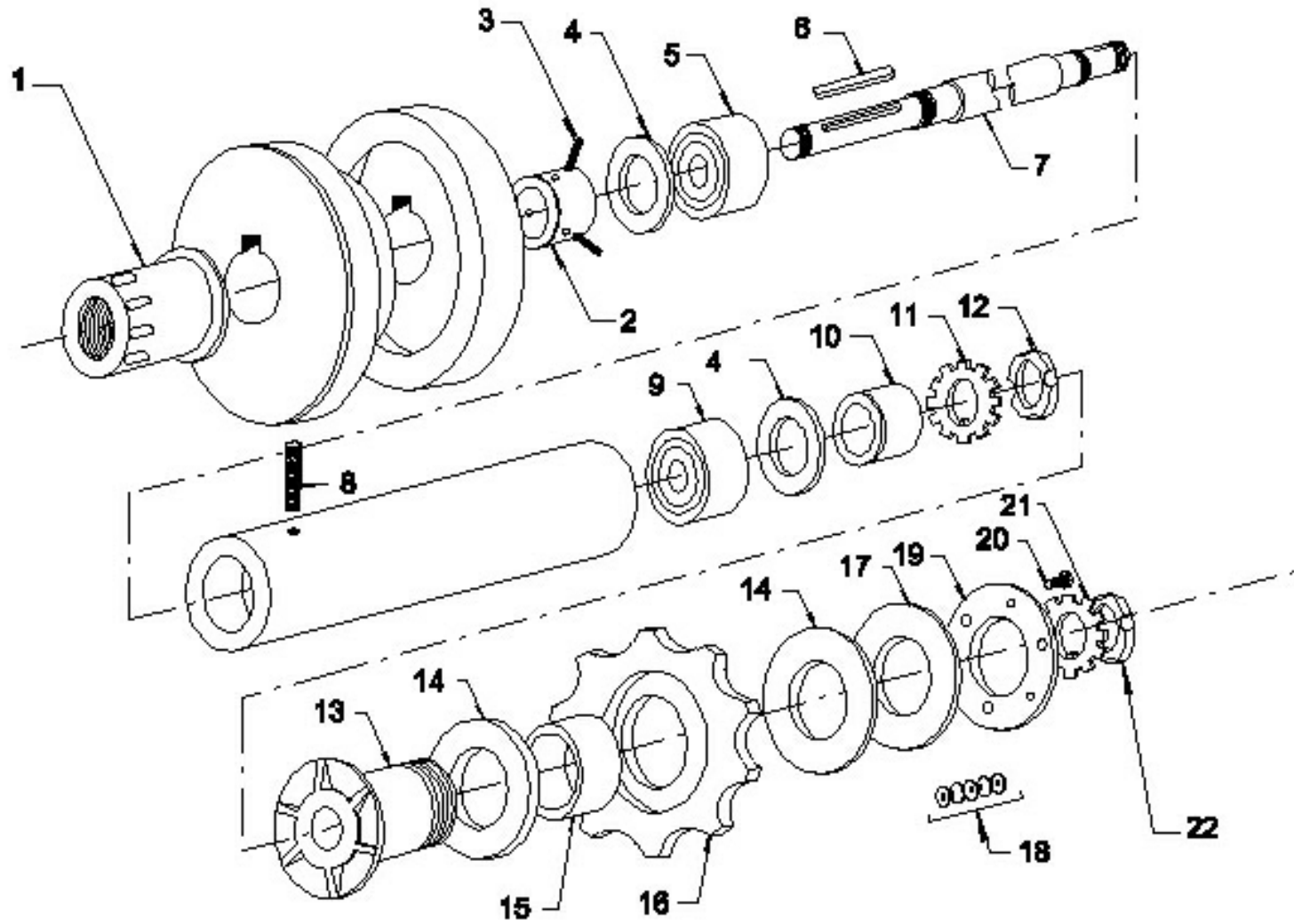
**MAIN PARTS GROUP**



## HYDRAULIC PLAN FOR HPK 65



### TOP ROLL SHAFT GROUP

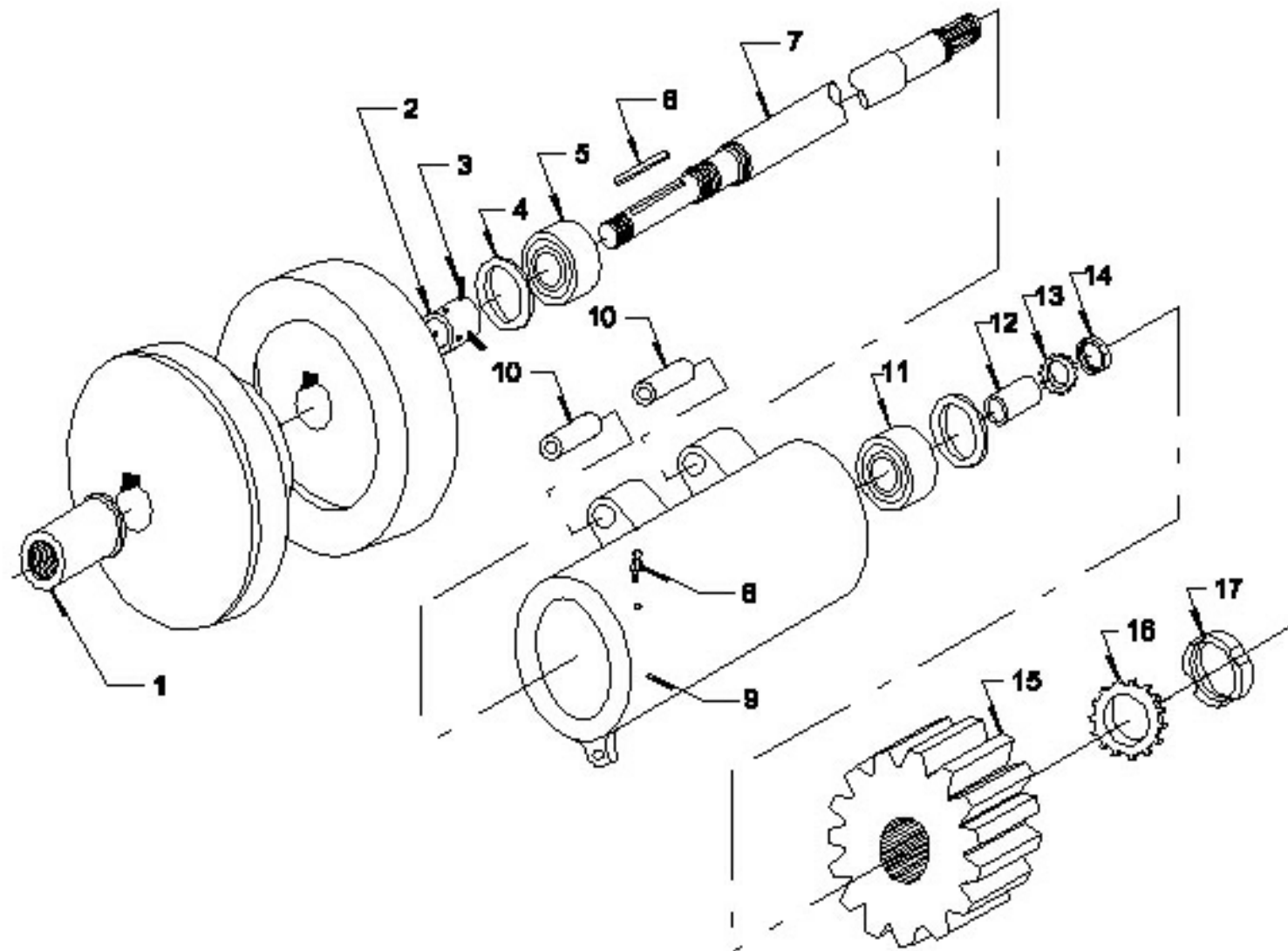


## **TOP ROLL SHAFT GROUP ( Fig02 )**

<b>Assembly No</b>	<b>Quantity</b>	<b>Part Identification</b>
1	1	Front roll nut
2	1	Roll Bushing nut
3	3	Set screw
4	2	Oil seal
5	1	Tapered roller bearing ( front )
6	1	Key
7	1	Top roll shaft
8	1	Greaser
9	1	Tapered roller bearing
10	1	Spacer
11	1	Safety washer
12	1	Safety nut
13	1	Coupling bushing
14	1	Clutch bushing
15	1	Bronze bushing
16	1	Single line sprocket
17	1	Spring housing
18	2	Flat spring
19	1	Squeeze flange
20	2	Set screw
21	1	Safety washer
22	2	Safety nut

# BOTTOM ROLLS SHAFT GROUP

Fig03

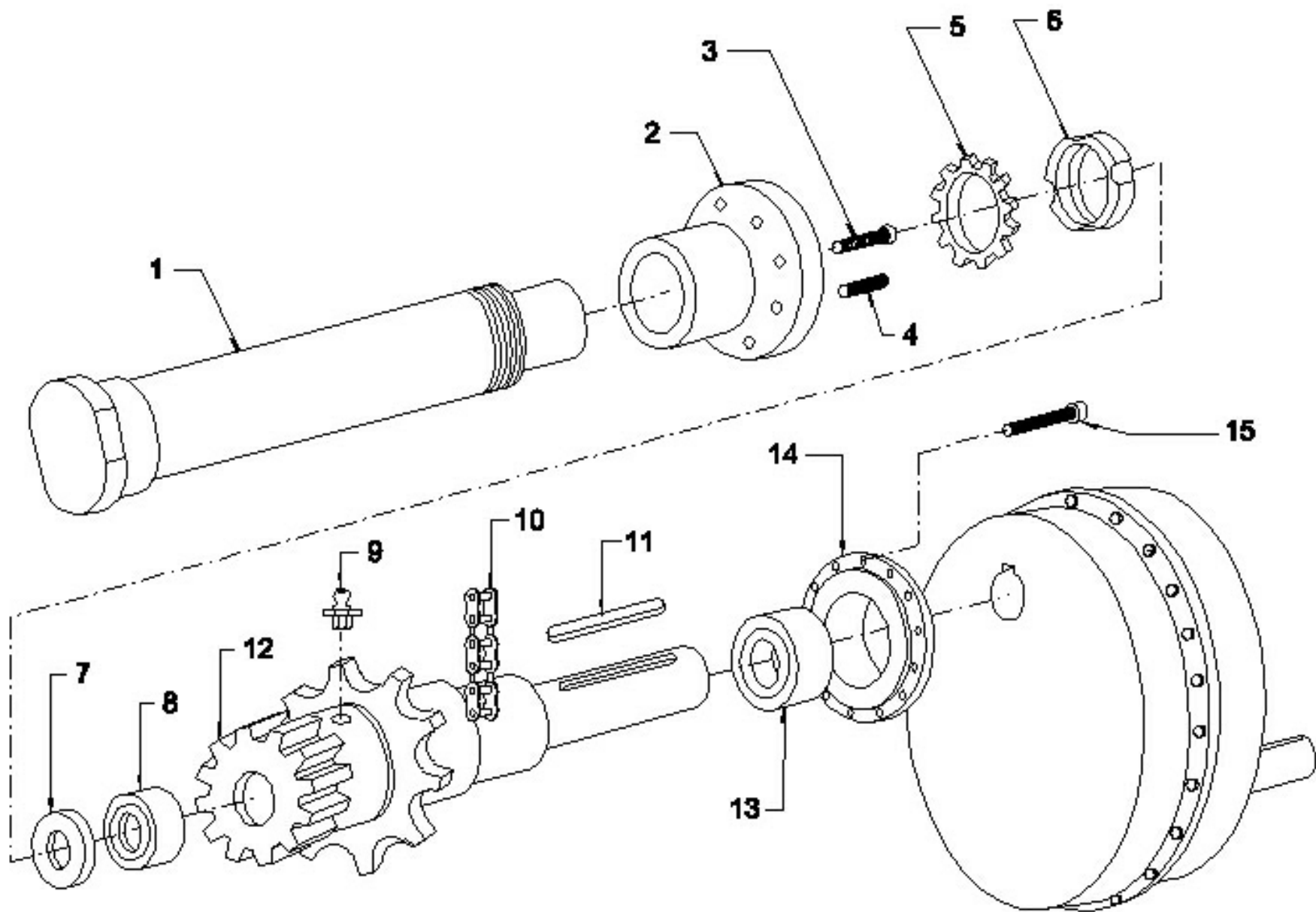


## ***BOTTOM ROLLS SHAFT GROUP ( Fig03 )***

<b>Assembly No</b>	<b>Quantity</b>	<b>Part Identification</b>
1	1	Roll nut ( front )
2	1	Roll bushing nut
3	3	Set screw
4	2	Oil seal
5	1	Ball bearing ( front )
6	1	Key
7	1	Lower roll shaft
8	1	Greaser
9	1	Lower roll bushing
10	4	Graphite bushing
11	1	Ball bearing ( back )
12	1	Metal ring
13	1	Spacer
14	1	Safety washer
15	2	Safety nut
16	1	Gear
17	1	Safety washer
18	1	Safety nut

# MAIN SHAFT GROUP

Fig04

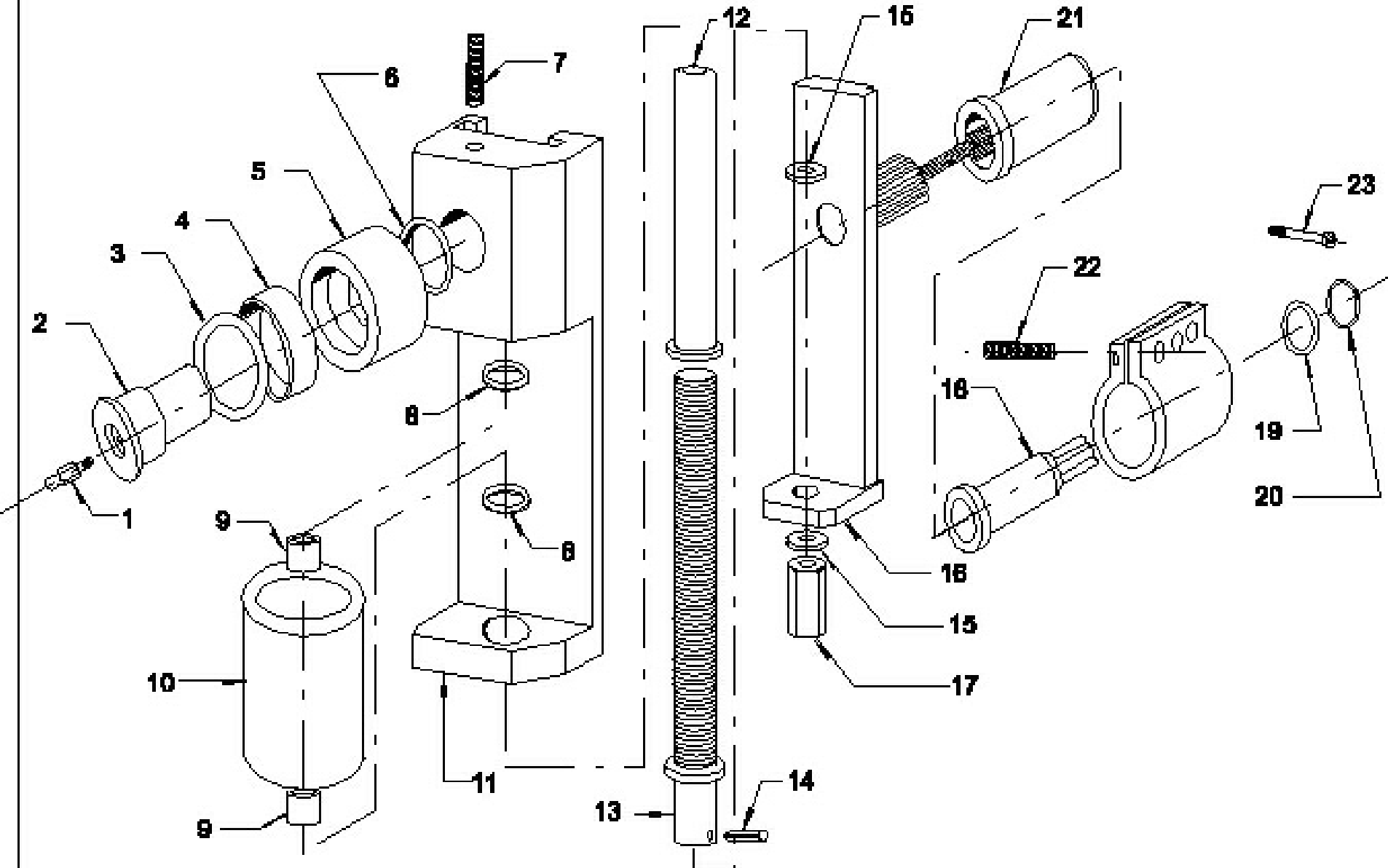


## **MAIN SHAFT GROUP ( Fig04 )**

<b>Assembly No</b>	<b>Quantity</b>	<b>Part Identification</b>
1	1	Main shaft
2	1	Main shaft flange (housing)
3	4	Socket Head Cap. Bolt
4	4	Set screw
5	1	Safety washer
6	1	Safety nut
7	1	Oil seal
8	1	Ball bearing
9	1	Greaser
10	1	Single line Chain
11	1	Key
12	1	Main power gear
13	1	Ball bearing
14	1	Ball bearing cover
15	4	Socket Head Cap Bolt

# GUIDE GROUP

Fig05



## **GUIDE GROUP ( Fig05 )**

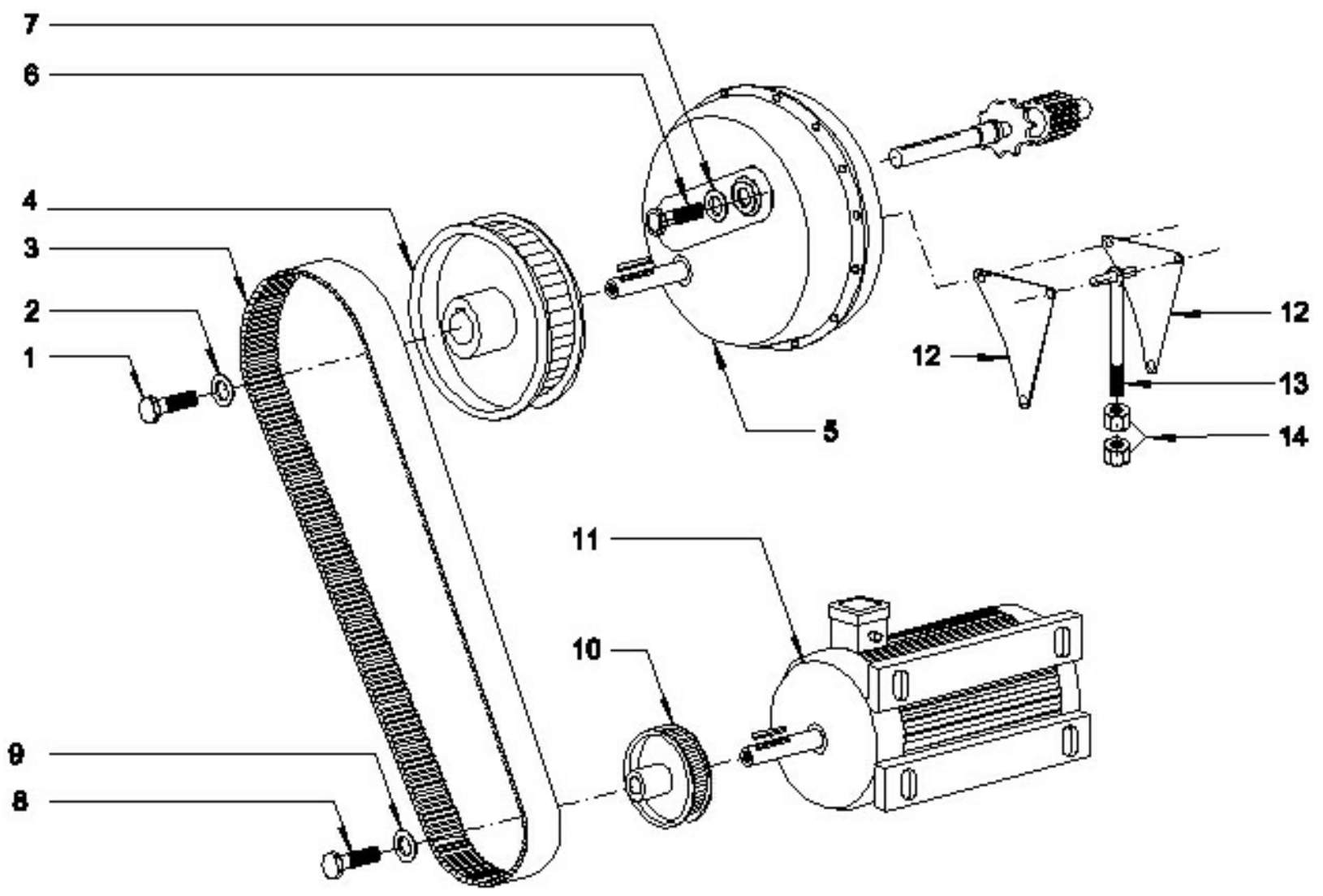
<b>Assembly No</b>	<b>Quantity</b>	<b>Part Identification</b>
1	1	<i>Greaser</i>
2	1	<i>Roller shaft</i>
3	1	<i>Spacer</i>
4	1	<i>Bronze bushing</i>
5	1	<i>Roller</i>
6	1	<i>Spacer</i>
7	1	<i>Set screw</i>
8	1	<i>Spacer ( bronze )</i>
9	2	<i>Bronze bushing</i>
10	1	<i>Roller</i>
11	1	<i>Cast housing</i>
12	1	<i>Advance nut</i>
13	1	<i>Advance bolt</i>
14	1	<i>Split pin</i>
15	1	<i>Spacer</i>
16	1	<i>Bushing</i>
17	1	<i>Advance nut</i>
18	1	<i>Advance bolt</i>
19	1	<i>Spacer</i>
20	1	<i>Shaft steel ring</i>
21	1	<i>Advance housing</i>
22	1	<i>set screw</i>
23	1	<i>Socket Head Cap. Bolt</i>

## **GUIDE GROUP ( Fig05 )**

<b>Assembly No</b>	<b>Quantity</b>	<b>Part Identification</b>
1	1	<i>Greaser</i>
2	1	<i>Roller shaft</i>
3	1	<i>Spacer</i>
4	1	<i>Bronze bushing</i>
5	1	<i>Roller</i>
6	1	<i>Spacer</i>
7	1	<i>Set screw</i>
8	1	<i>Spacer ( bronze )</i>
9	2	<i>Bronze bushing</i>
10	1	<i>Roller</i>
11	1	<i>Cast housing</i>
12	1	<i>Advance nut</i>
13	1	<i>Advance bolt</i>
14	1	<i>Split pin</i>
15	1	<i>Spacer</i>
16	1	<i>Bushing</i>
17	1	<i>Advance nut</i>
18	1	<i>Advance bolt</i>
19	1	<i>Spacer</i>
20	1	<i>Shaft steel ring</i>
21	1	<i>Advance housing</i>
22	1	<i>set screw</i>
23	1	<i>Socket Head Cap. Bolt</i>

**POWER GROUP**

**Fig06**

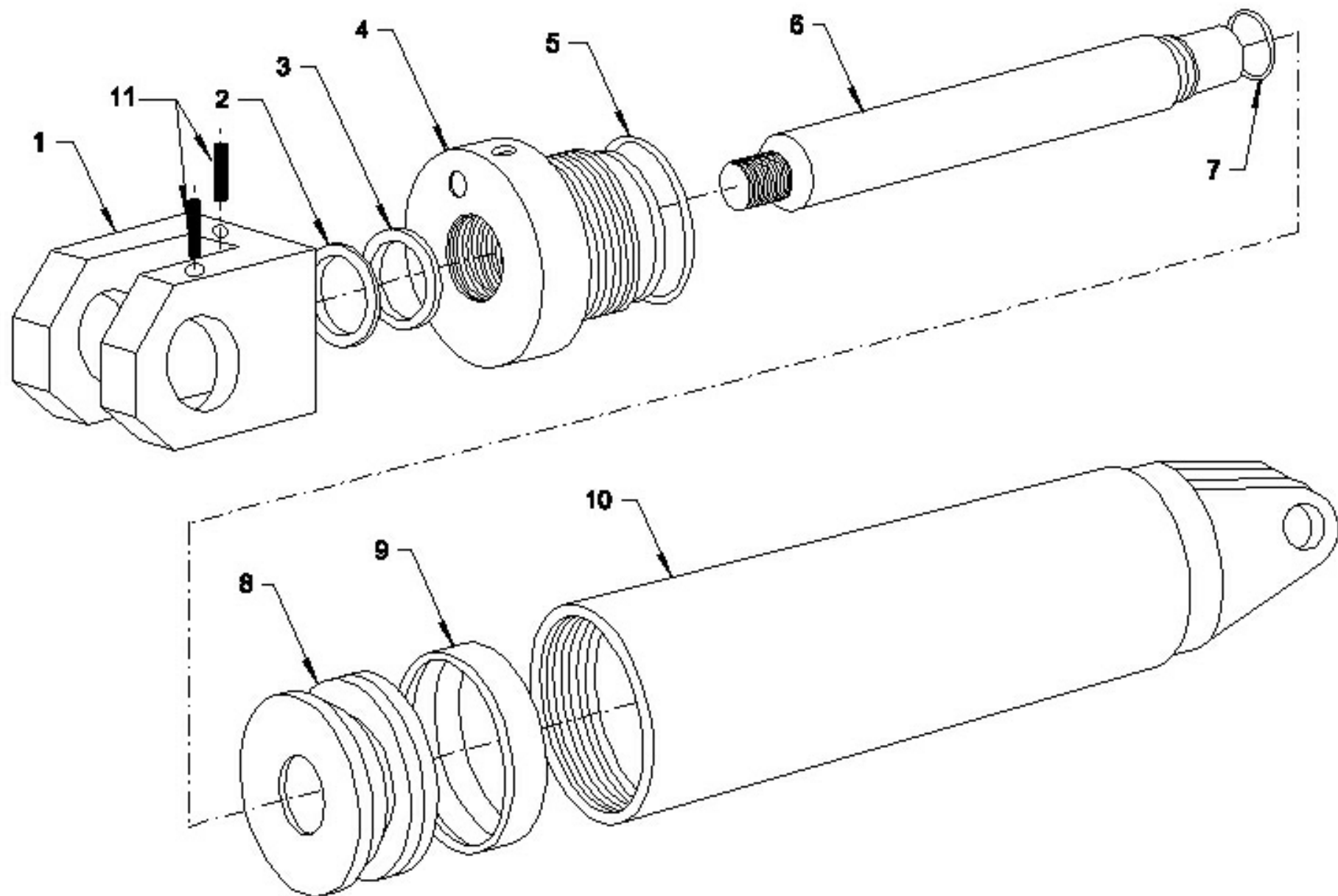


## **POWER GROUP ( Fig06 )**

<b>Assembly No</b>	<b>Quantity</b>	<b>Part Identification</b>
1	1	Socket Head Cap Bolt
2	1	Washer
3	1	Trigger belt
4	1	Trigger cam
5	1	Reduction motor in shaft
6	1	Socket head cap bolt
7	1	Washer
8	1	Socket head cap Bolt
9	1	Washer
10	1	Trigger wheel
11	1	Electric motor
12	4	Restraining flange
13	2	Spiral restraining bolt
14	4	Nut with fiber

# CYLINDER AND PISTON GROUP

Fig07



## **CYLINDER AND PISTON GROUP ( Fig07 )**

<b>Assembly No</b>	<b>Quantity</b>	<b>Part Identification</b>
1	1	Cast fork
2	1	Dust seal
3	1	Neck seal
4	1	Cast neck
5	1	O-Ring
6	1	Piston arm
7	1	O-Ring
8	1	Piston head
9	1	Cylinder Seal
10	1	Cylinder
11	2	Set screw